

RPA

Roll-Packing Machine



The Leggett & Platt RPA is a machine for the roll-packaging of open and closed coil mattress spring units.

Units are presented to the machine one by one to the in-feed table of the machine by an operator and pushed into the revolving mandrel section. The units are then roll-packed in paper that is manually attached to the mandrel. The pack is closed by way of tape following manual cutting of the paper. The pack is then ejected from the machine into a pack buffer/out-feed table. This buffer section allows additional time for the pack-removal operative to transport the packs away from the machine to the required location.



Please contact our sales team at:

Spühl AG | Grüntalstrasse 23 | 9300 Wittenbach | Switzerland
+41 71 292 13 12 | saleswfm@spuhl.ch | www.spuhl.ch

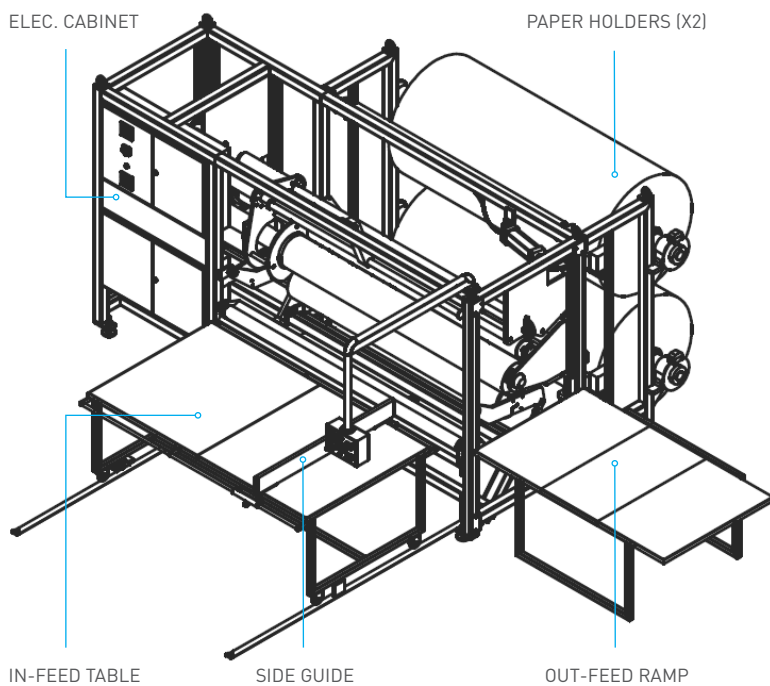
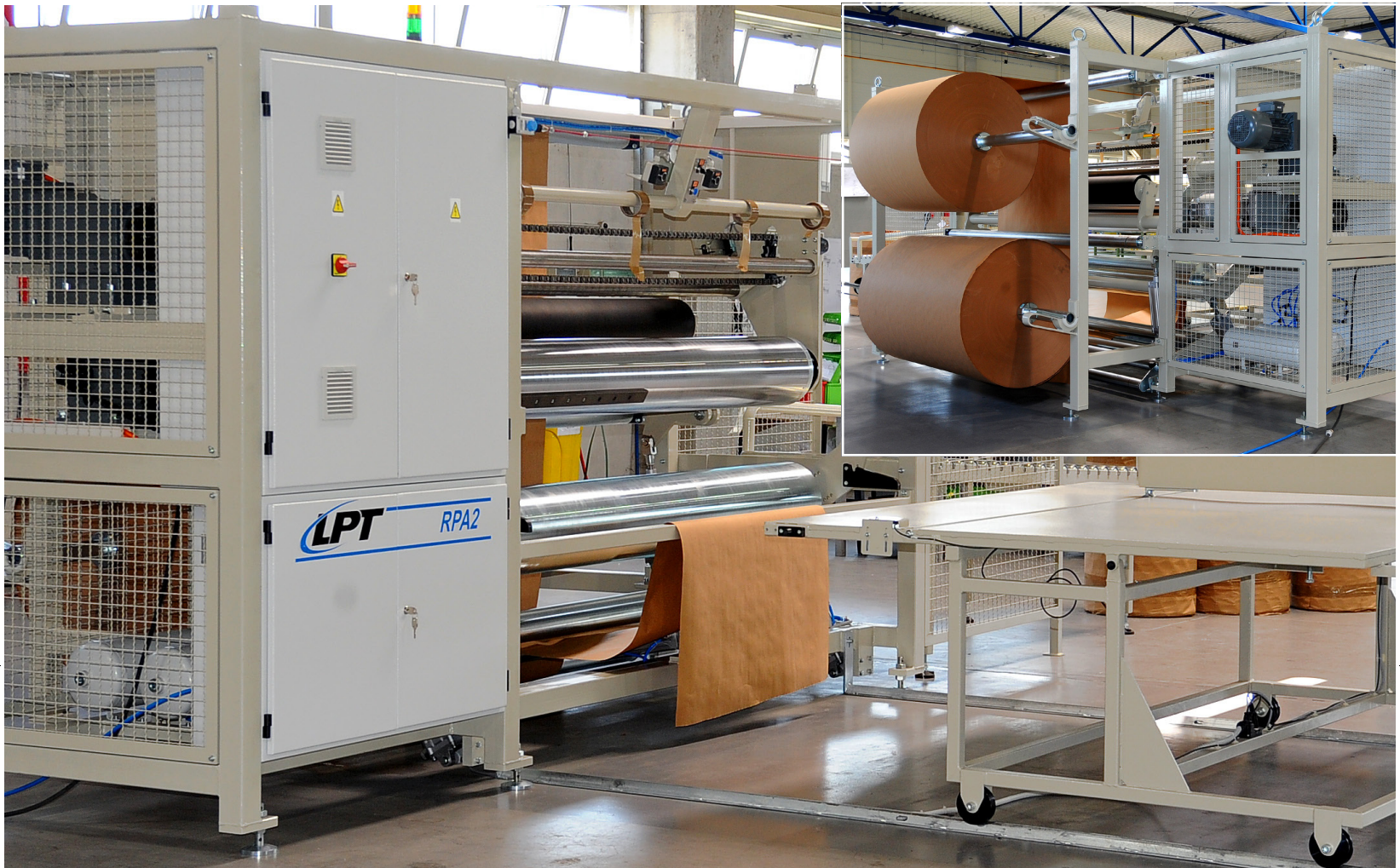
General Specifications:

- Maximum Roll Diameter – 650 mm
- Maximum Roll Width – 2000 mm
- Packaging Materials – ALL
- Spring Unit Types – Bonnell, Pocket, LFK
- Dimensions – Please see reverse side
- Installed Power – 8.25 kw

Leggett & Platt[®]
Machine Products Croatia

LPT d.o.o | Hrupine 4 | 40 323 Prelog | Croatia
+385 40 650 500 | www.leggett.com

Leggett & Platt is a diversified manufacturer (and member of the S&P 500) that conceives, designs and produces a broad variety of engineering components and products for the bedding industry and other market sectors worldwide.



MACHINE FOOTPRINT: APPROXIMATELY 6.1 X 4.9 M (MAXIMUM HEIGHT - 2.3 M)

RPA Available Options:

Active table – permits the roll-packing of 220mm high pocket units.

Roll pack out-feed up-ender – built-in device for orientating rolls in a vertical position for ease of handling.

Leggett & Platt[®]
Machine Products Croatia

LPT d.o.o | Hrupine 4 | 40 323 Prelog | Croatia
+385 40 650 500 | www.leggett.com

LP_4/13 | © 2013 Leggett & Platt, Incorporated